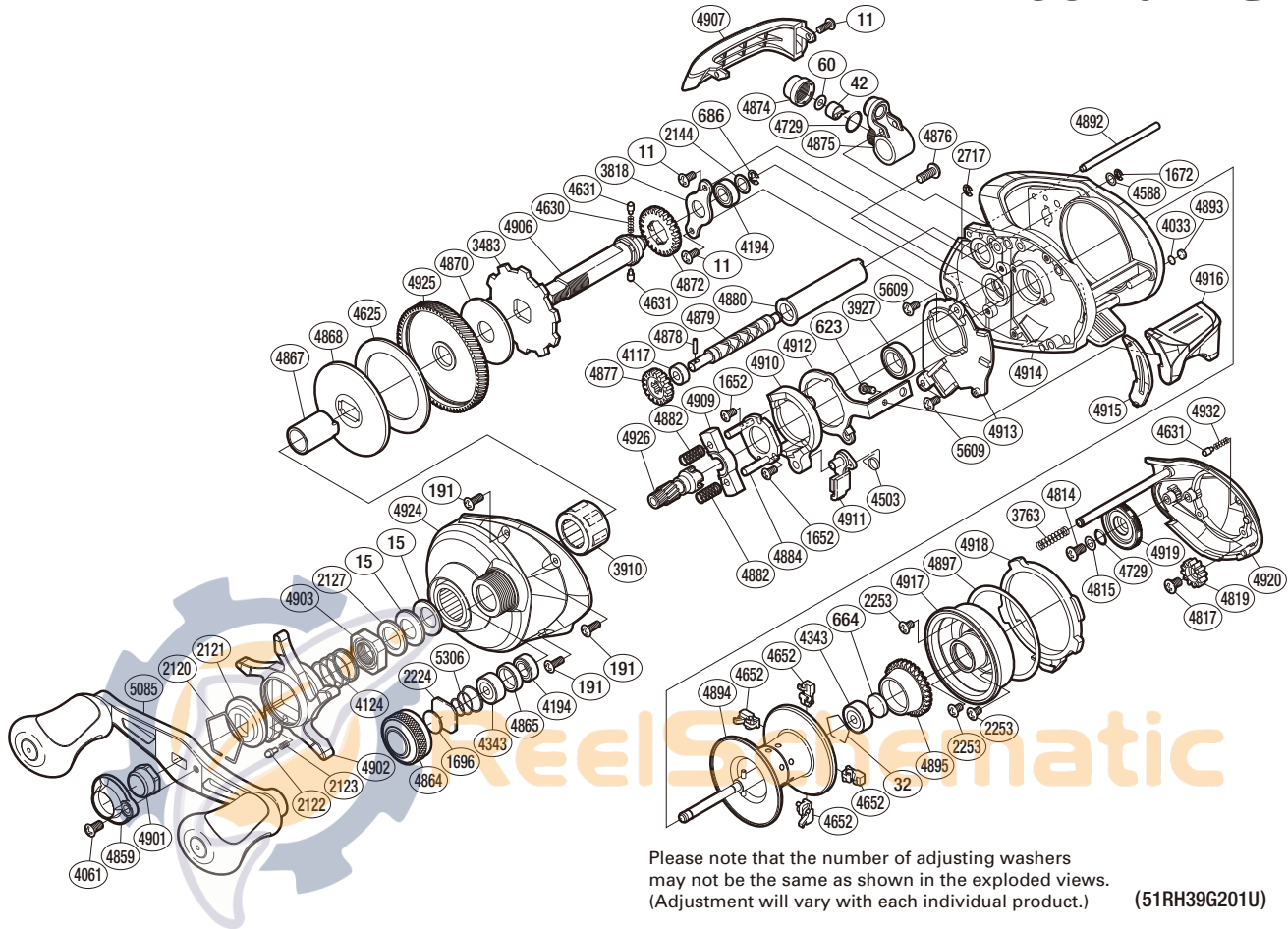


SHIMANO

CURADO S A-RB

CU-201HG



Please note that the number of adjusting washers may not be the same as shown in the exploded views. (Adjustment will vary with each individual product.) (51RH39G201U)

Part No.	Description	Part No.	Description	Part No.	Description
BNT0011	Screw	BNT4194	Ball Bearing	BNT4893	Anti-Thrust Washer
BNT0015	Drag Spring Washer	BNT4343	Ball Bearing	BNT4894	Spool Assembly
BNT0032	Bearing Retainer	BNT4503	Clutch Pawl Spring	BNT4895	Brake Ring Gear
BNT0042	Line Guide Pawl	BNT4588	Washer	BNT4897	Washer
BNT0060	Spacer	BNT4625	Drag Washer	BNT4901	Handle Nut
BNT0191	Screw	BNT4630	Idle Gear Spring	BNT4902	Star Drag
BNT0623	Screw	BNT4631	Idle Gear Pin	BNT4903	Star Drag Nut
BNT0664	Spacer B	BNT4652	Brake Shoe	BNT4906	Drive Shaft
BNT0686	E Lock	BNT4729	O Ring	BNT4907	Level Wind Protector
BNT1652	Screw	BNT4814	Screw	BNT4909	Yoke
BNT1672	E Lock	BNT4815	Washer	BNT4910	Clutch Cam
BNT1696	Cast Control Spacer	BNT4817	Screw	BNT4911	Clutch Pawl
BNT2120	Click Plate Retainer	BNT4819	Idle Gear	BNT4912	Clutch Plate
BNT2121	Star Drag Click Plate	BNT4859	Handle Nut Plate	BNT4913	Clutch Guard
BNT2122	Click Pin	BNT4864	Cast Control Cap	BNT4914	One-Piece Frame
BNT2123	Click Spring	BNT4865	Bearing Spacer	BNT4915	Clutch Bar Guide
BNT2127	Star Drag Spacer	BNT4867	Roller Clutch Inner Tube	BNT4916	Quick-Fire II Clutch Bar
BNT2144	Washer	BNT4868	Key Washer	BNT4917	Brake Case
BNT2224	Spool Tension Spacer	BNT4870	Drag Washer	BNT4918	Side Plate Cam Lever
BNT2253	Screw	BNT4872	Idle Gear	BNT4919	Brake Dial
BNT2717	E Lock	BNT4874	Pawl Cap	BNT4920	Right Side Plate
BNT3483	Anti-Reverse Ratchet	BNT4875	Line Guide	BNT4924	Left Side Plate
BNT3763	Side Plate Spring	BNT4876	Screw	BNT4925	Drive Gear
BNT3818	Drive Shaft Retainer	BNT4877	Idle Gear	BNT4926	Pinion Gear
BNT3910	Roller Clutch Bearing	BNT4878	Worm Shaft Pin	BNT4932	Click Spring
BNT3927	Ball Bearing	BNT4879	Worm Shaft	BNT5085	Handle Assembly
BNT4033	Washer	BNT4880	Level Wind Guard	BNT5306	Spool Tension Spring
BNT4061	Screw	BNT4882	Yoke Spring	BNT5609	Screw
BNT4117	Bushing	BNT4884	Clutch Cam Retainer		
BNT4124	Star Drag Spring	BNT4892	Stabilizer Bar	BNT4692	B-100 Oil (accessory)